

# MQL-Systems & Coolant Pumps

the suitable Solution for almost all Machine Tools

Minimum Quantity Lubrication (MQL) is increasingly replacing conventional coolant pumps in the metalworking industry due to the many advantages of this pioneering method.

However, coolant pumps still have their place in industrial metalworking and are another focus of our delivery program. Have a look at our products and contact us if you have any questions.



MQL Systems



# MQL Machining

Enter the future of cooling lubrication technology.

Flooding a work piece and machine tool with coolant is one way of doing the job. Be smart and save money, protect the environment and your staff's health, prolong tool life, and get rid of dirty, slippery working areas by using MQL.



## MQL System W-Type € 539.00

“W-Type” MQL-System is equipped with a Loc-line nozzle and fits **drilling machines, lathes, cutters and grinding machines.**

The lubrication systems are supplied complete with all accessories and assembly instructions (step-by-step illustration) including one liter of the high-quality cutting oil MSA-AME 507 and are immediately ready for use.

- Minimum Quantity Lubrication system
- 4.5 m (14.7 ft) hose package
- 2 m (6.6 ft) el. connecting cable
- Loc-line nozzle
- 1 liter (0.26 gal) of cutting oil
- Screws
- Illustrated step-by-step instructions

## Specifications

Power Consumption: 10 Watt

Voltages: 24 VDC, 24 VAC, 230 VAC

Frequency: 50 Hz

Flow Rate: 0 – 41 mm<sup>3</sup> / pump stroke

Number of Pumps / System: 1 – 6

Conveying Frequency: 3 / sec. – 1 / min.

Reservoir Capacity: 1.2, 2.2 or 3.6 liters

Lubricant: Oil, max. 800 cSt 40 °C

Compressed Air: 4.5 – 7 bar (70 – 100 psi)

Compressed Air Consumption (at 6 bar): 60 – 100 l / Min.

Weight: 1 kg

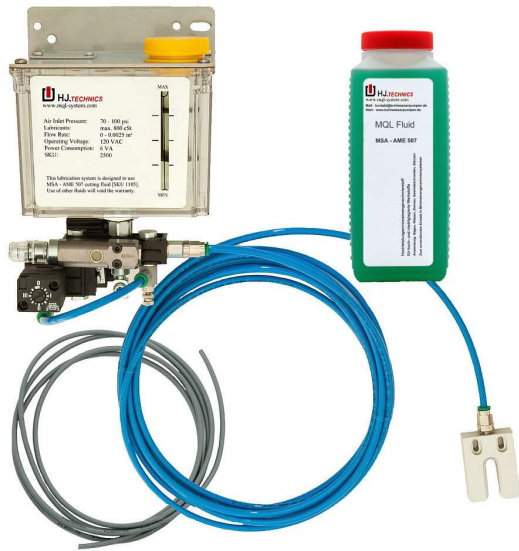
Dimensions (\*): 190 mm (7.48 in) x 146 mm (5.75 in) x 240 mm (9.45 in)

SKU: 2500-W

(\* ) L x W x H, one pump, 1.2 l reservoir



## MQL System S-Type € 539.00



“S-Type” MQL-System is equipped with a U-shaped nozzle and fits **band saws, circular saws and jig saws.**

The lubrication systems are supplied complete with all accessories and assembly instructions (step-by-step illustration) including one liter of the high-quality cutting oil MSA-AME 507 and are immediately ready for use.

- Minimum Quantity Lubrication system
- 4.5 m (14.7 ft) hose package
- 2 m (6.6 ft) el. connecting cable
- Loc-line nozzle
- 1 liter (0.26 gal) of cutting oil
- Screws
- illustrated step-by-step instructions

## Specifications

Power Consumption: 10 Watt

Voltages: 24 VDC, 24 VAC, 230 VAC

Frequency: 50 Hz

Flow Rate: 0 – 41 mm<sup>3</sup> / pump stroke

Number of Pumps / System: 1 – 6

Conveying Frequency: 3 / sec. – 1 / min.

Reservoir Capacity: 1.2, 2.2 or 3.6 liters

Lubricant: Oil, max. 800 cSt 40 °C

Compressed Air: 4.5 – 7 bar (70 – 100 psi)

Compressed Air Consumption (at 6 bar): 60 – 100 l / Min.

Weight: 1 kg

Dimensions (\*): 190 mm (7.48 in) x 146 mm (5.75 in) x 240 mm (9.45 in)

SKU: 2500-S

(\* ) L x W x H, one pump, 1.2 l reservoir

We recommend our MSA-AME 507 MQL-fluid. The MSA-AME 507 is made in Germany and a specially designed fluid based on fatty acid esters for use in minimum lubrication systems. This product is suitable for band saws, lathes, cutters, grinding machines etc. MSA-AME 507 MQL-fluid protects blanks and tools against rust.



# MSA-AME 507

## MQL Fluid



**MSA-AME 507 is made in Germany and specially designed for use in Minimum Quantity Lubrication (MQL) Systems. In addition to its excellent cooling and lubricating properties, our MQL Fluid will optimize the performance and longevity of your equipment and is safe for your health and the environment.**

Manufacturer information:

- Mixture for industrial and commercial use
- Non-water miscible minimum quantity lubricant, mineral oil free
- Mixture based on fatty acid esters, colored, contains no ingredients in quantities subject to declaration
- Not classified as dangerous according to Directive 1999/45 / EC
- Not subject to labeling according to Directive 1999/45 / EG
- The product does not contain any relevant quantities of individual substances with limit values that require monitoring at the workplace.
- Store protected from frost and heat

**Packaging: 10 liters net**  
**Price: € 213.80 /10 liter can**

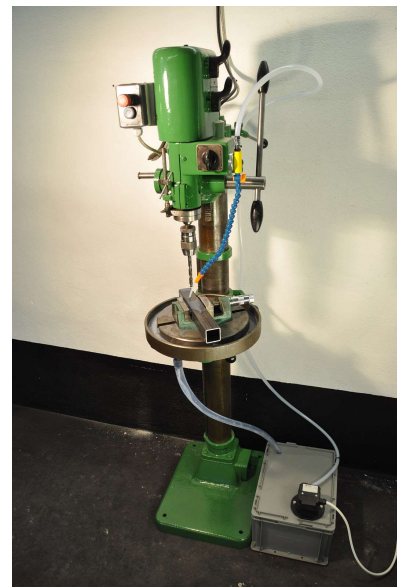


# Coolant System SA-150



## Scope of delivery:

Coolant pump SAP SA-150 mm, 60Watt, 230V or 400V  
Tank for coolant (PP) app. 20 liters, 36x27x20 cm (LxBxH)  
Loc-Line nozzle (350 mm) with magnetic base and valve  
Clear PVC hose (supply) 2m (16/12mm)  
Clear PVC hose (return) 1m (24/19mm)  
Screws, clamps and hose fitting  
1 liter coolant concentrate HOSMAC – S 160 HJ, watermiscible, sufficient for up to 25 liters of coolant.



**Price € 237,-**



# HOSMAC - S 160 HJ

## Water-miscible Coolant



**HOSMAC S 160 HJ is a mineral oil-based, water-miscible cooling lubricant for machining steel, gray cast iron and aluminum alloys. Work operations such as drilling, turning and milling are safely mastered with the HOSMAC – S 160 HJ. In addition, HOSMAC – S 160 HJ is for grinding operations o.g. suitable materials.**

HOSMAC – S 160 HJ contains mineral oils, an active ingredient combination consisting of native fats and oils and significantly counteracts tool wear. Organic anti-corrosion additives protect machines, tools and workpieces from corrosion in the recommended concentrations. Anionic and nonionic emulsifiers result in translucent emulsions of high stability.

The workpieces manufactured with HOSMAC – S 160 HJ can be degreased in common alkaline cleaners (e.g. unitech – PURGON range).

HOSMAC – S 160 HJ is used in concentrations of 4-8% diluted in water. This achieves a yield of up to 250 liters for the 10 liter container. Mixing takes place by slowly pouring the concentrate into tap water while stirring thoroughly or with the help of automatic mixing devices.

HOSMAC – S 160 HJ fulfills the requirements and guidelines of TRGS 611.

**Packaging: 10 liters net**  
**Price: € 96.00 /10 liter can**



# SAP ES-P Coolant Pump

## Head & Capacity

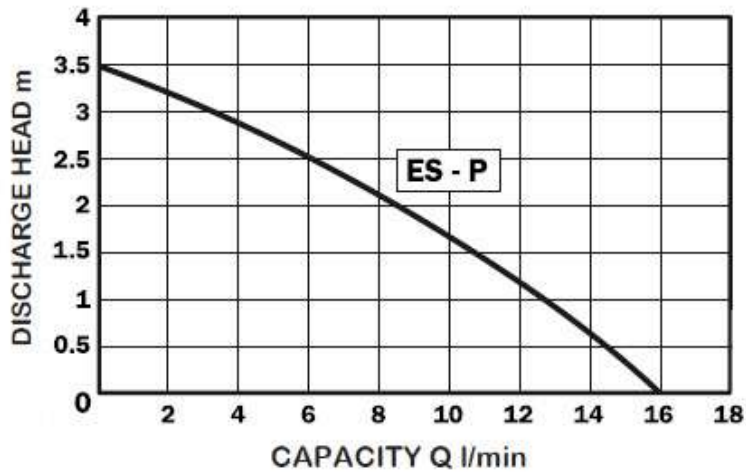


Fig. 1

Figure 1 shows the maximum delivery rate depending on the discharge head for the ES-P pump.

TYPE	Volt/HZ	A	B	C	D	E
ES-P	230/50	68	88	86	12	59

Fig. 2

Figure 2 shows the dimensions of the ES-P pump.

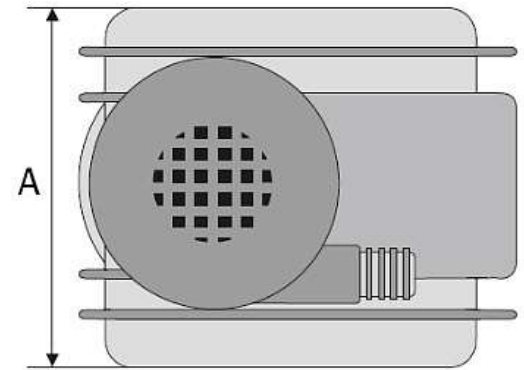


Fig. 3

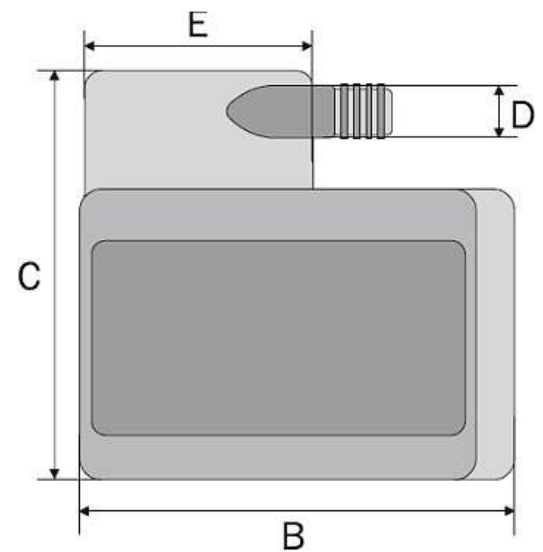


Fig. 4



# SAP SA Coolant Pump

## Head & Capacity

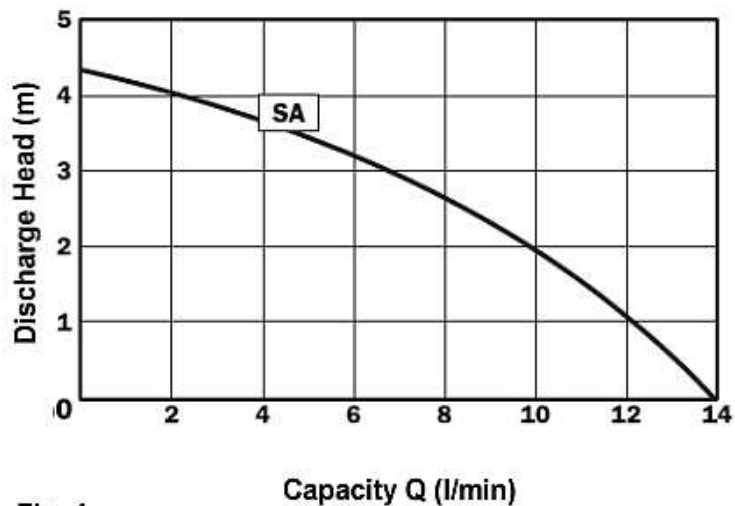


Fig. 1

Figure 1 shows the maximum delivery rate depending on the discharge head for the pump SA.

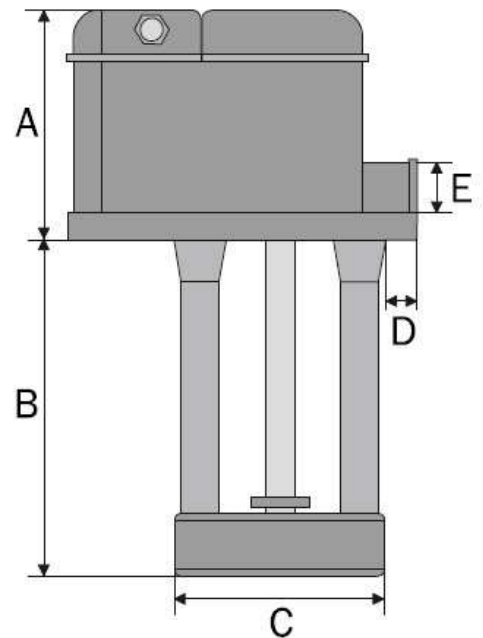


Fig. 3

TYPE	Volt/HZ	Watt	A	B	C	D	E
				85			
SA	230/400/50	60	82	120	75	8	3/8"
				150			

Fig. 2

Figure 2 shows the length of the immersion tube under "A", which must be taken into account when ordering, see also Figure 3.

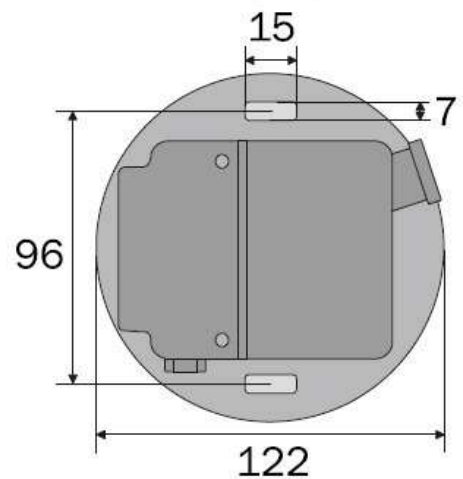


Fig.4





# SAP PA-35 Coolant Pump

## Discharge Head & Capacity

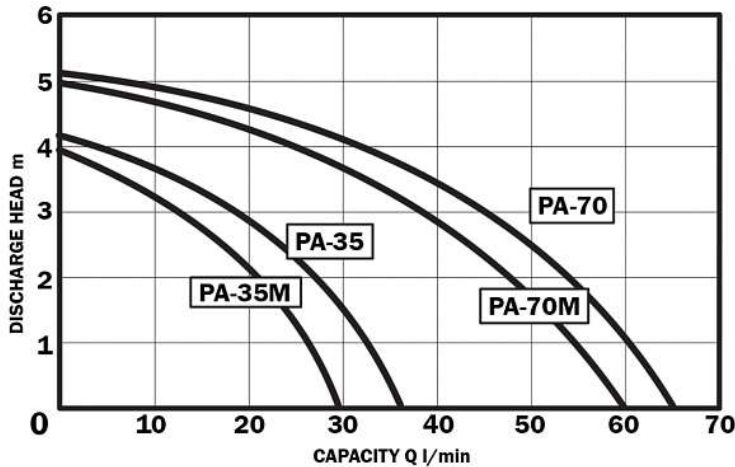


Fig. 1

**Figure 1** shows the maximum delivery rate depending on the discharge head for the pump types PA-35 and PA-70. Note that the optional single-phase variant (type "PA-35M" or "PA-70M") has about 10% less power.

TYPE	Volt/HZ	Watt	A	B	C	D	E
PA35	400/50*	90 70*	85	127	96	87	3/8"
			120				
			150				
			180				
			200				
			250				
300							

Fig. 2 \* also available as mono phase (PA-35M)

**Figure 2** shows the length of the immersion tube under "A", which must be taken into account when ordering, see also Figure 3.

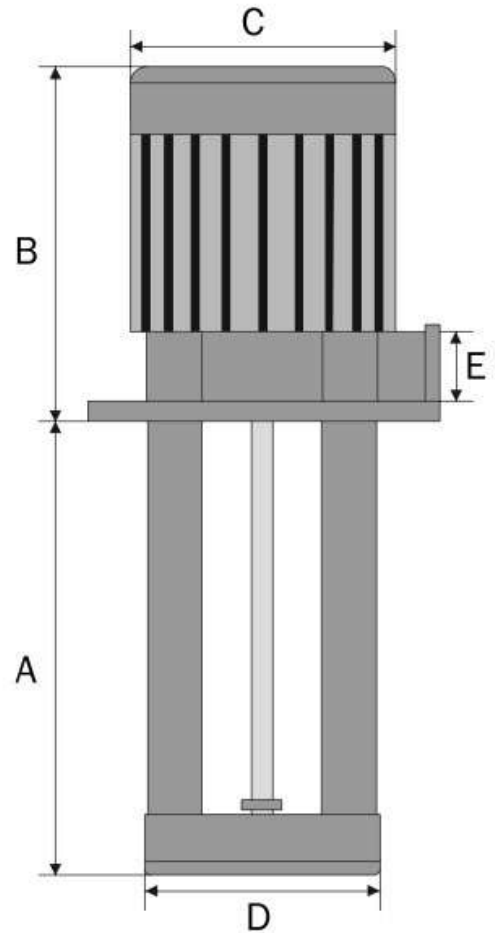


Fig. 3

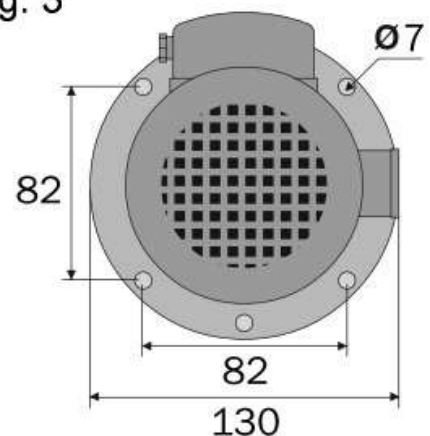


Fig. 4



# SAP PA-70 Coolant Pump

## Discharge Head & Capacity

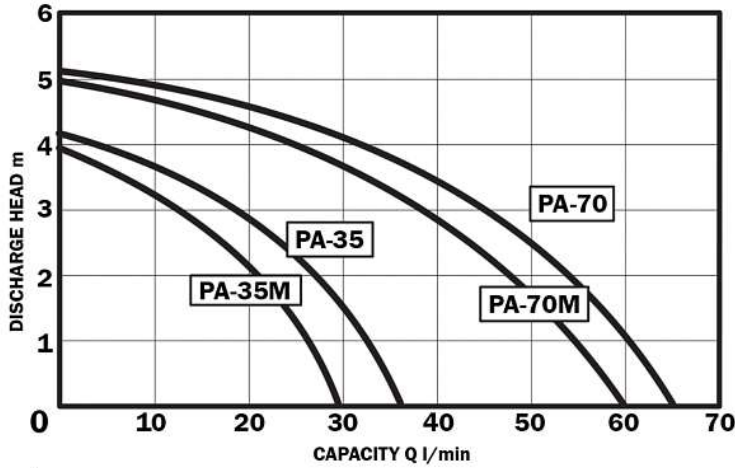


Fig. 1

**Figure 1** shows the maximum delivery rate depending on the discharge head for the pump types PA-35 and PA-70. Note that the optional single-phase variant (type “PA-35M” or “PA-70M”) has about 10% less power.

TYPE	Volt/HZ	Watt	A	B	C	D	E
PA 70	400/50*	90 70*	85	127	96	87	3/8"
			120				
			150				
			180				
			200				
			250				
300							

Fig. 2 \* also available as mono phase (230 V)

**Figure 2** shows the length of the immersion tube under “A”, which must be taken into account when ordering, see also Figure 3.

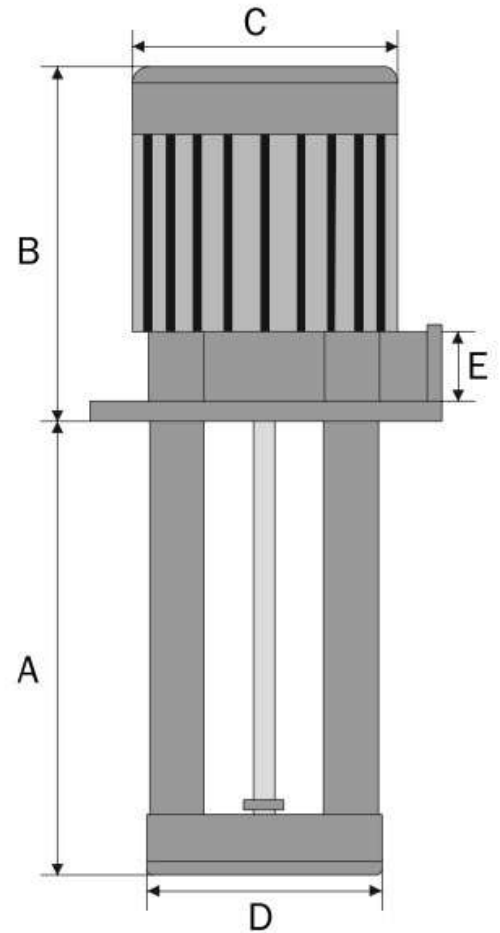


Fig. 3

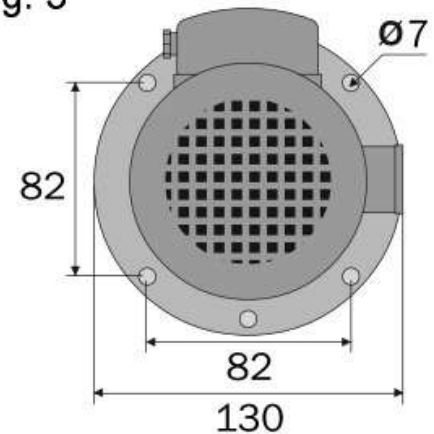


Fig. 4



# SAP PA-150 Coolant Pump

## Discharge Head & Capacity

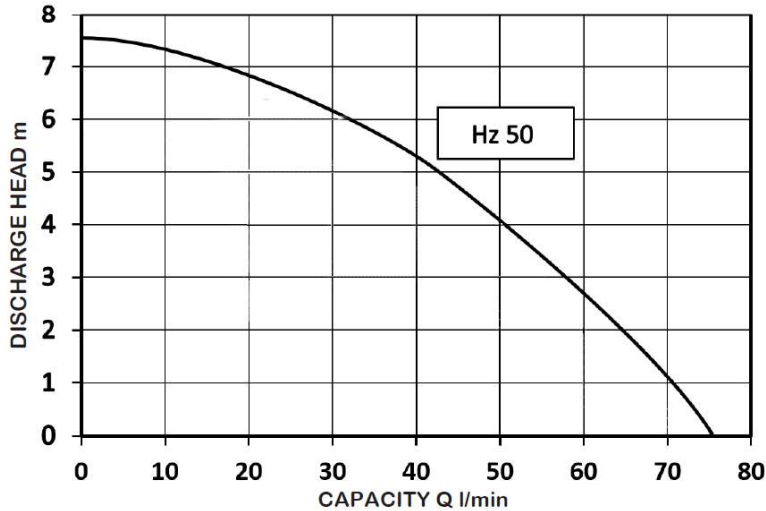


Figure 1 shows the maximum delivery rate depending on the discharge head for the pump PA-180.

TYPE	Volt/HZ	Watt	A	B	C	D	E
PA 150	400/50*	260 195*	120	145	96	98	3/4"
			150				
			180				
			200				
			250				
			300				
			400				

Fig. 2 \* also available as mono phase

Figure 2 shows the length of the immersion tube under "A", which must be taken into account when ordering, see also Figure 3.

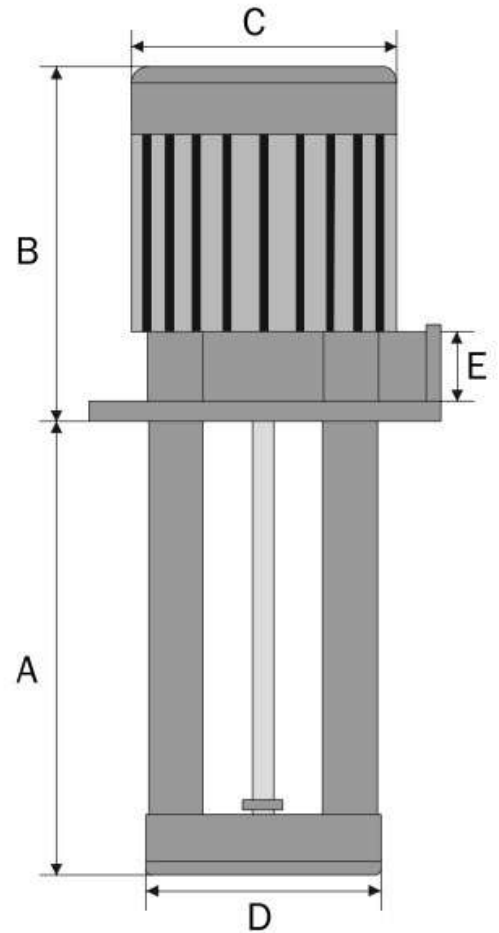


Fig. 3

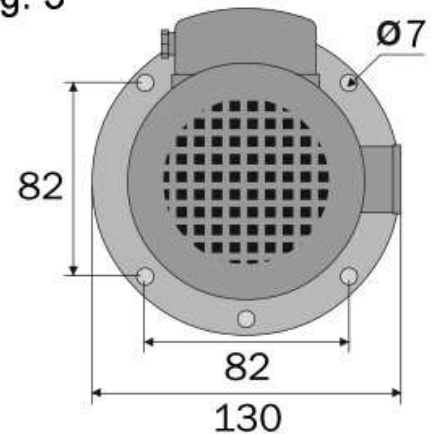


Fig. 4



# Order

The easiest way to place an order is to go to our website [www.hj-teknik.com/uk/](http://www.hj-teknik.com/uk/). Or drop us a mail if you have any questions: [contact@hj-technics.com](mailto:contact@hj-technics.com).

---

Shipping: € 20,-.

Terms of payment: 20 days net (within the EU, otherwise prepayment in full). All prices in € plus VAT and shipping costs. If you provide us with your VAT ID, we can issue you the invoice net, without sales tax.

## MQL-Systems



Type	Price
MQL System (komplett) type S or W	€ 539.00

## Coolant System



Type	Price
Coolant system SA (complete)	€ 237.00
Coolant system PA (complete)	€ 280.00

## Pump SA



Type	Price
SA - 85mm	€ 167.00
SA - 120mm	€ 167.00
SA - 150mm	€ 167.00



## Pump ES



Type	Price
ES-P	€ 222.00
ES-E3	€ 226.00

## Pump PA35



Type	Price
PA35 - 85mm	€ 237.00
PA35 - 120mm	€ 237.00
PA35 - 150mm	€ 237.00
PA35 - 180mm	€ 237.00
PA35 - 200mm	€ 237.00
PA35 - 250mm	€ 237.00
PA35 - 300mm	€ 237.00

## Pump PA70



Type	Price
PA70- 85mm	€ 247.00
PA70 - 120mm	€ 247.00
PA70 - 150mm	€ 247.00
PA70 - 180mm	€ 247.00
PA70 - 200mm	€ 247.00
PA70 - 250mm	€ 247.00
PA70 - 300mm	€ 247.00

## Pump PA150



Type	Price
PA150 - 120mm	€ 377.00
PA150 - 150mm	€ 377.00
PA150 - 180mm	€ 377.00
PA150 - 200mm	€ 377.00
PA150 - 250mm	€ 377.00
PA150 - 300mm	€ 377.00
PA150 - 350mm	€ 377.00
PA150 - 400mm	€ 377.00



## Watermiscible Coolant



### Type

Hosmac - S 160 HJ  
Watermiscible Coolant

### Price

€ 96.00 (10 liter)  
€ 15.00 (1 liter)

## MQL Fluid



### Type

MSA-AME 507  
MQL fluid

### Price

€ 213.80 (10 liter)  
€ 26.90 (1 liter)

